

Name: \_\_\_\_\_

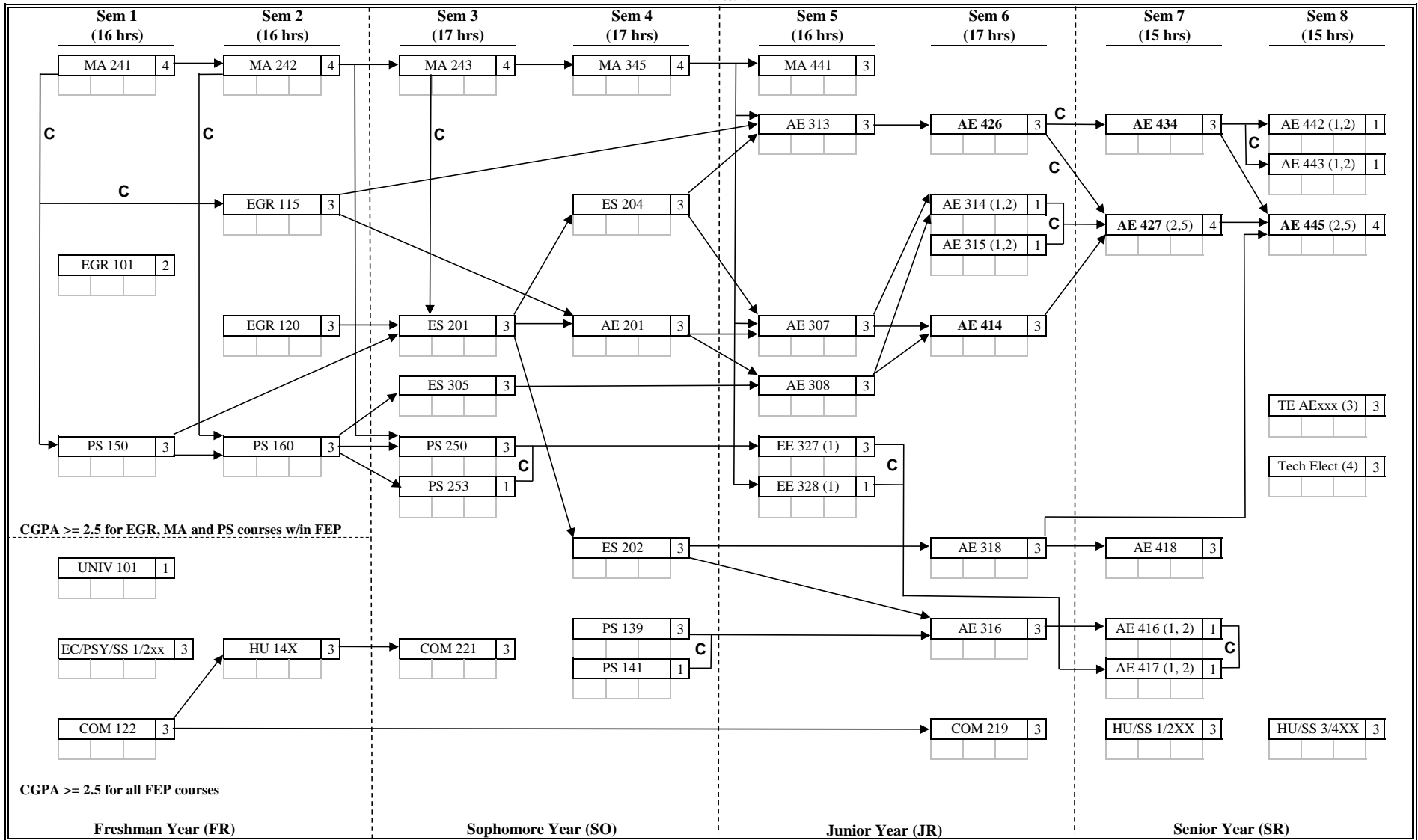
Student ID: \_\_\_\_\_



**Aerospace Engineering**  
2017 - 2018 Catalog  
**Astronautics Option**



Rev 05/17



**BSAE Total Hours = 129 with a C or better in all courses within three attempts, including audits and withdrawals**

- A GPA >= 2.5 is required:**
- a) for all FEP courses (Sem 1 and 2) prior to any AE course
  - b) for all EGR, MA and PS courses within FEP prior to any AE course

Legend: → = Prerequisite, → w/ "C" = Corequisite, - -> = AE Required, ( ) = See Note

1. COM 221 must be completed prior to any AE or EE Lab.
2. Courses offered Fall and Spring terms only.
3. Must be an AE Technical Elective course from the Approved BSAE Technical Electives List.
4. Can be any Technical Elective course from the Approved BSAE Technical Electives List.
5. COM 219 is a pre-req